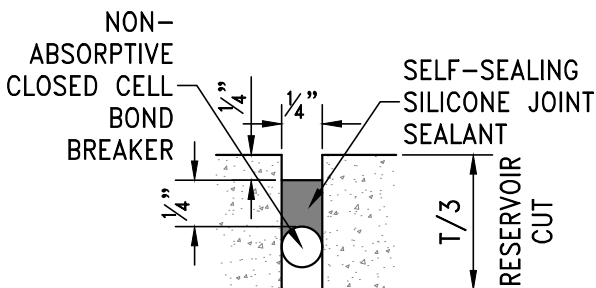
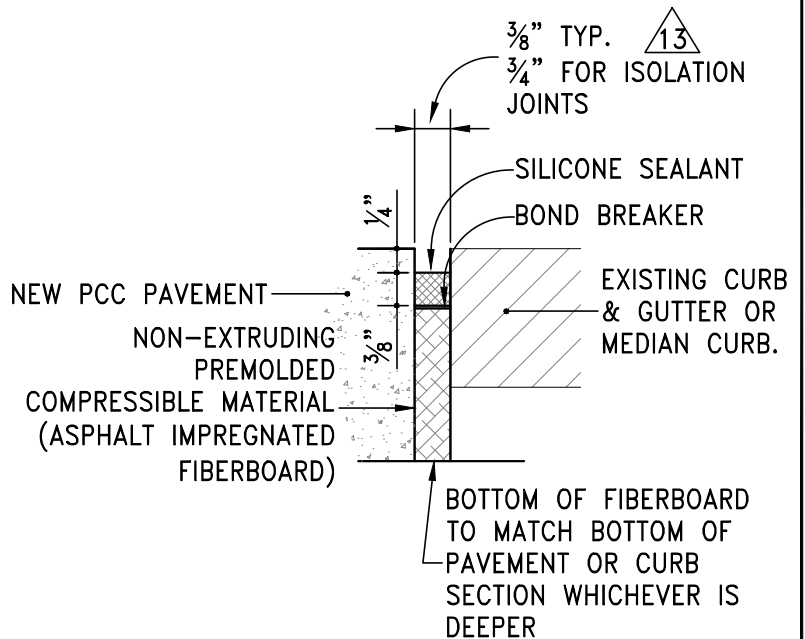


**TRANSVERSE CONSTRUCTION JOINT - SINGLE CUT**



**LONGITUDINAL WEAKENED PLANE - SINGLE CUT**



**EXPANSION JOINT**



STANDARD DETAILS FOR PUBLIC WORKS CONSTRUCTION

**DETAILS - CONCRETE  
PAVEMENT PATCH**

DRAWING No.

**R-119B**

APPROVED BY: KK

DATE: 2/2026